

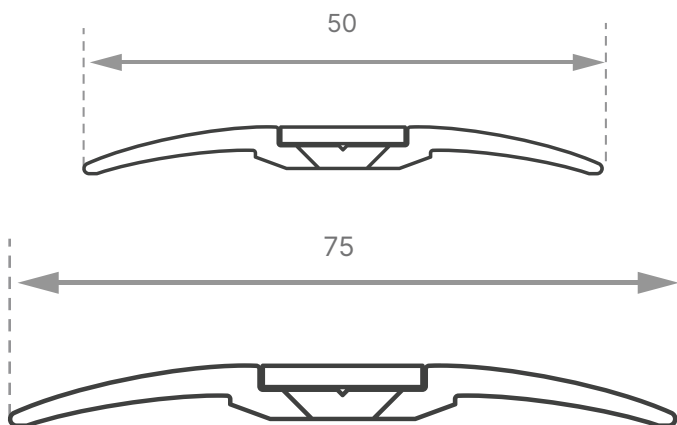


# CSA Series

## Aluminium Floor Cover

- Designed for smooth transition between different floor surfaces
- Concealed mechanical fixing with self adhesive aluminium strip
- Supplied complete with fixings
- Available in 50mm and 75mm widths

Aluminium Floor Covers offer a durable solution for bridging small gaps and height differences while allowing movement. Lightweight and corrosion-resistant, they accommodate expansion and contraction, ensuring long-lasting performance in commercial and public spaces.



## Installation guide

Install CSA50 and CSA75 to required areas as marked in accordance with manufacturer's recommendations. For the best results we can provide installation.

## Application

Interior and Exterior



**Haptix**™ BY  
CMT  
GROUP

**haptix.co.nz**  
**0800 HAPTIX**