

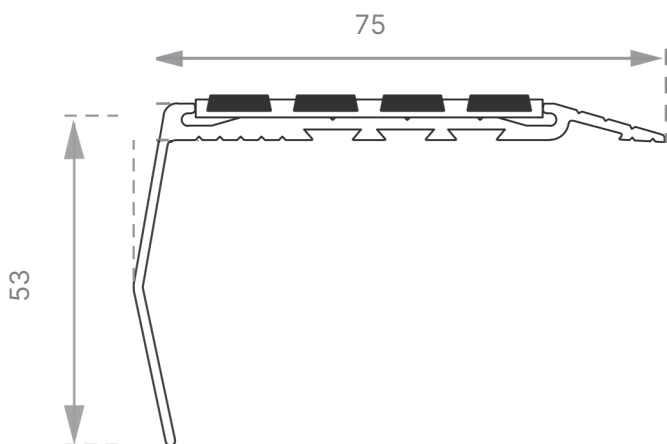


DKR435

Aluminium Safety Stair Nosing with Striped Carb Insert

- Ramped back, long folded front
- Striped carborundum insert
- Pre-drilled and countersunk
- CA290 Adhesive, Mechanical fixings
- Surface mount
- For concrete, timber, tile and vinyl surfaces

Aluminium Safety Stair Nosings with Striped Carborundum Insert offer a lightweight, durable solution for enhancing stair safety. Featuring a ramped back and long folded front, they ensure compliance and visibility.



Nosing profile colours

Natural (standard), Black. On request: Gold, Bronze, Saffron, Chocolate, Olive



Nosing insert colours

Black/Natural, Yellow/Natural, White/Natural, Black/Black



Installation guide

Install DKR435 to required areas as marked in accordance with manufacturer's recommendations. For the best results we can provide installation.

Application

Interior and exterior



BY
CMT
GROUP

haptix.co.nz
0800 HAPTIX