

ETC6

Floor Trim

- Edge trim for carpet and tile flooring
- Provides a solid and clean finish at horizontal and vertical junctions
- CA290 adhesive

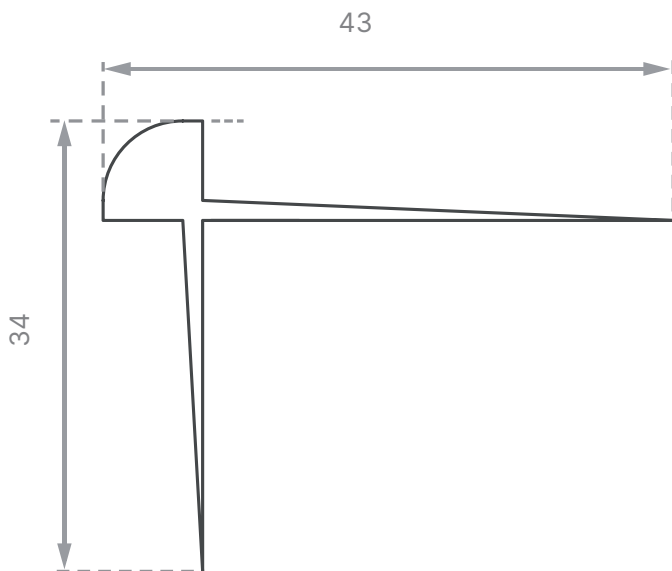
Floor Trims provide a durable solution for finishing and protecting floor edges, ensuring smooth transitions and preventing wear. Lightweight and corrosion-resistant, they deliver long-lasting performance in commercial and public spaces.

Installation guide

Install ETC6 to required areas as marked in accordance with manufacturer's recommendations. For the best results we can provide installation.

Application

Interior



Installation
Services



3
Year
Warranty

Haptix™
BY
CMT
GROUP

haptix.co.nz
0800 HAPTIX