

THIFS25

Polyurethane TacStud with Fin Shaft

- Excellent anti-slip rating
- Easy friction fit install
- UV stable thermo polyurethane
- Superb abrasion qualities
- For asphalt surfaces

Polyurethane Tactile Studs, made from UV-stable thermo polyurethane, feature a Fin shaft for asphalt substrates. They provide a durable, cost-effective solution with excellent anti-slip performance and easy retrofit installation for high-traffic areas.

Installation guide

Install THIFS25 to required areas as marked in accordance with manufacturer's recommendations. For the best results we can provide installation.

Compliance

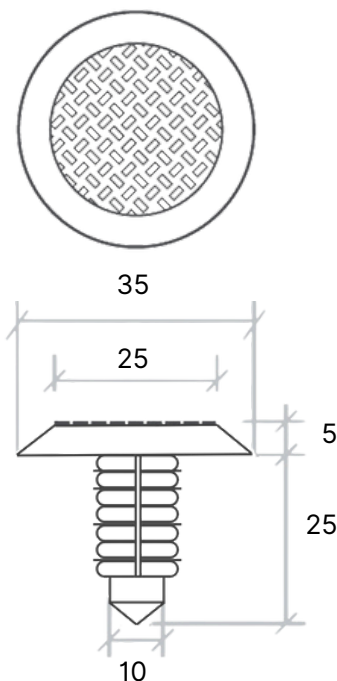
Complies with all relevant NZ standards and regulations including RTS14.2009.

Application

Exterior

Tactile Colours

Yellow, Black, Grey, White, Green, Blue, Terracotta, Beige, Charcoal



Haptix™
BY
CMT
GROUP

haptix.co.nz
0800 HAPTIX