

THISS12 & THISS25



Polyurethane TacStud with Star-Shaft

- Excellent anti-slip rating
- Easy friction fit install
- UV stable thermo polyurethane
- Superb abrasion qualities

Polyurethane Tactile Studs, made from UV-stable thermo polyurethane, feature a star-shaped pin for concrete, timber and tile substrates. They offer a durable, cost-effective solution with excellent anti-slip performance and easy retrofit installation for high-traffic areas.

Installation guide

Install THISS12 and THISS25 to required areas as marked in accordance with manufacturer's recommendations. For the best results we can provide installation.

Types & applications

- THISS25 – 25mm stem x 8mm diameter Star Shaft
- THISS12 – 12mm stem x 8mm diameter Star Shaft

Compliance

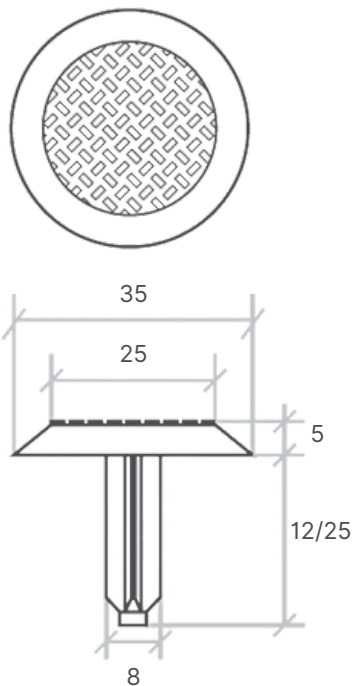
Complies with all relevant NZ standards and regulations including RTS14.2009.

Application

Exterior

Tactile Colours

Yellow, Black, Grey, White, Green, Blue, Terracotta, Beige, Charcoal



Haptix™ BY CMT GROUP

haptix.co.nz
0800 HAPTIX