

# SH10F

## Stainless Steel Stemless Tactile Stud

- Grooved 10 ring top
- Plain sides
- Without rear stud, requires epoxy
- Sloped sides for safe transition
- For hard surfaces

Stainless Steel Stemless Tactile Studs are crafted from hard-wearing marine-grade stainless steel. They feature a grooved 10-ring top for tactile feedback. The sloped sides ensure safe transitions in high-traffic areas.

### Installation guide

Install SH10F to required areas as marked in accordance with manufacturer's recommendations. For the best results we can provide installation.

### Compliance

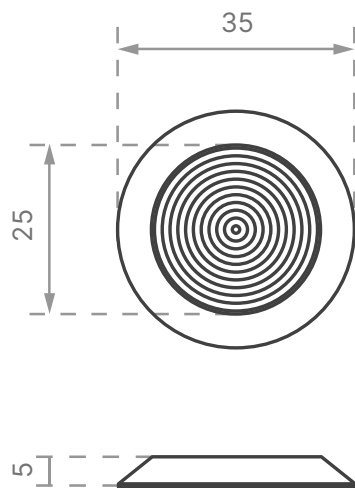
Complies with all relevant NZ standards and regulations including RTS14.2009.

### Application

Interior and exterior

### Tactile Colours

Natural. On request: Black



Installation  
Services



10  
Year  
Warranty



P5  
Slip  
Rating

**Haptix**™  
BY  
CMT  
GROUP

[haptix.co.nz](http://haptix.co.nz)  
0800 HAPTIX