

SH10N

Stainless Steel Tactile Stud

- Grooved 10 ring top
- Sloped sides for safe transition
- For all surfaces
- Plug, friction fit

Stainless Steel Tactile Studs, crafted from hard-wearing marine-grade stainless steel, feature a grooved 10-ring top for tactile feedback and sloped edges for smooth transitions. Ensuring stylish accessibility in high-traffic areas.

Installation guide

Install SH10N to required areas as marked in accordance with manufacturer's recommendations. For the best results we can provide installation.

Compliance

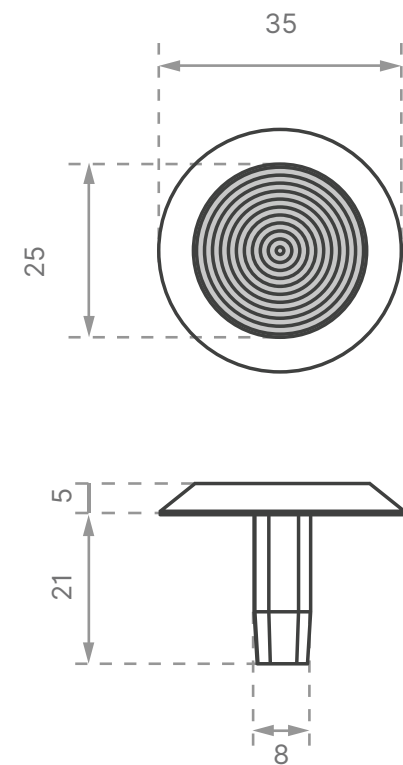
Complies with all relevant NZ standards and regulations including RTS14.2009.

Application

Interior and exterior

Tactile Colours

Natural or Black



Installation
Services

10

Year
Warranty

P5

Slip
Rating

Haptix™
BY
CMT
GROUP

haptix.co.nz
0800 HAPTIX